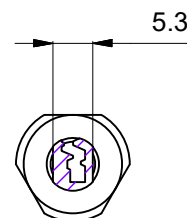
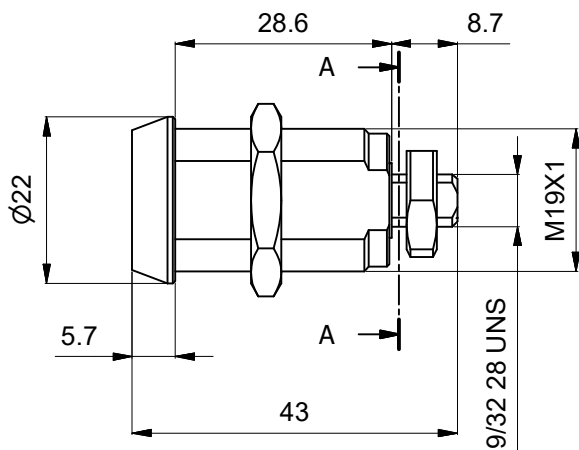
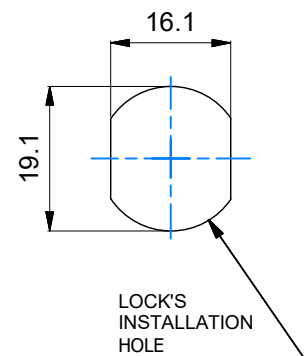
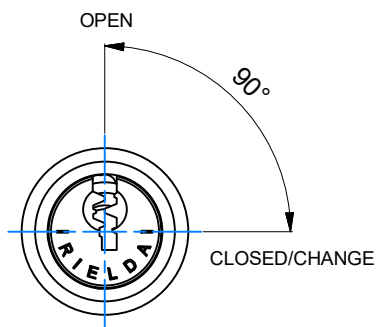


## Cam locks Series 400-500 Model 519 RS1

### Characteristics:

- mechanical re-programmable lock
- made in brass
- external finish in nickel
- rotation 90° clockwise
- resistant to opening with method "bumping"
- resistant to opening with picks - "picking"
- resistant to drilling



A-A